

Gynecological **Examining Table**
Obstetric **Delivery Table**

Gynecological Examining Table

CHS-E1000

The Steady Seller of Gynecological Examining Table



Gynecological Examining Table CHS-E1000

Stability

To prevent initial chilliness, CHS-E1000 provides seat warming system during examination

Convenience

CHS-E1000 can memorize the position which normally used by user. A simple wireless switch helps user work conveniently



Foot Switch(wireless)

Precise Control

CHS-E1000 provides display screen which helps to check the height and angle of chair. This screen allows users to adjust the position precisely

Standard Accessory



1) Knee Crutches 2) Sheet Paper 3) Drain Tray 4) Arm Rest

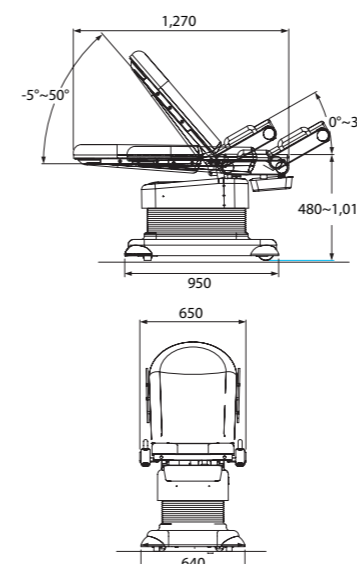


5) Cotton Container & Forcep jar 6) Screen Frame

Optional Accessory



1) Leg Rest 2) Hand Surgery Arm Rest 3) Shoulder Supporter 4) LED Examination Light



Specification

CONTENTS	Specification
Overall Size(mm)	650(W) x 1,270(L) x 480~1,015(H)
Table Size(mm)	650(W) x 1,270(L)
Back Plate Rotating Angle	-5°~50°
Hip Plate Rotating Angle	0° to 30°
Power Source	AC 220V, 50/60 Hz
Power Consumption	480W
Fuse	5A
Maximum Patient Weight	135kg
Accessories Weight	35kg



Работайте с лучшими,
всё остальное компромисс!

8 (800) 775-10-98

medliga.ru