

TriMax 650NS
Professional &
Reliable

TriMax 650NS Series
Professional & Reliable



Ultra Low Tabletop and Versatility Beyond Users' Inspired

Surgical Table



Flexibility & Versatility Operating Environment



Intelligent Modules for Safety and Ergonomics

BenQ Medical Technology understands ergonomics and coordination for users are important. Our company makes sure TriMax 650NS Series provides efficient workflows and ideal surgical environment for surgeons and patients. Within 2 decades working on surgical table, BenQ Medical Technology not only coordinates post-operative care and patient care but also enable operating theatre flexible. BenQ Medical Technology has been devoted to variable challenges and comprehensive system in order to create better operation table.

TriMax 650NS Series guarantees versatility

The height adjustment from 530 to 1,010 mm provides better ergonomic working positions for physicians. The extremely low setting of TriMax 650NS Series operation table allows surgeons to operate comfortably during longer-time surgery, ex. MIS surgery, neurosurgery and plastic surgery.

Ergonomic for flexible deployment

TriMax 650NS Series has 360mm longitudinal slide and adjustable low tabletop height from 530mm. The excellent imaging coverage provides the surgeon with the optimal C-arm access and the imaging visualization.

Professional for MIS, Endoscopy and Neurosurgery

24° of Lateral tilt further enhances patient positioning during MIS and Endoscopy surgery. Interchangeable capability between head and leg sections, reverse patient orientation and tabletop slide enhance the excellent access microscopy or C-arm easily.



Interchangeability of Tabletop

The head rest and leg plates can be interchangeable for the selected patient orientation to offer the better access of C-arm and to have greater range of image in neurosurgical procedures.

- *The back plate and seat plate segments are fastened to the table's column.
- *When REVERSE mode is activated, Back Up \ Back Down \ Flex and Reflex position cannot function.



High standards of safety

Manual pump option provides secondary power source as a back up operation during emergency.

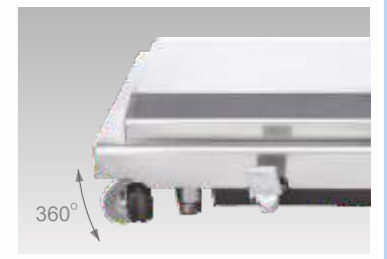
Backlight hand control provides easy, quick and safe operation in the dark OR.



Moving smoothly in perfect harmony

Thanks to TriMax 650NS Series provides four electrically powered locking and stays firmly in place during operations.

Moreover, all casters move freely provide outstanding 360° rotate and safe mobility on uneven floors.



Ergonomic for Diagnostics and Flexible Deployment

Thank to the 360mm longitudinal slide for precise positioning under the C-arm or other equipment.

Kidney Bridge (optional)

SFC Mattress (Soft Foam Core) reduce the main cause of decubitus.

Flexible Position

Flexible position set by pressing a button from a remote control.

Lift-Assist Design of Leg Section

Variable adjustment via lift-assist design for easy, quick and safe repositioning.



Built-in Cassette Tunnel

Control Panel

Auxiliary as secondary control panel.

Backlight Hand Control

All the operating table functions can be initiated with the corded hand control.

Extremely Low Tabletop

For easy operating from a seated position.

Disinfectant Stainless Steel

All shrouds and claws are made of stainless steel with disinfectant and scratch-resistant.

Back-up Battery System (optional)

Easy and Comfort Versatility

Electrical drive and power-assisted floor locking can optimize table stability.

Manual Pump (optional)

TriMax 650NS Series
Professional & Reliable



TriMax 650NS Series

TriMax 650NS Series is designed to improve surgery efficiency and flexible working practices.



General Surgery

The stability of TriMax 650NS Series can easily adapt to abdominal, chest and other surgeries.

Recommended Accessories :
- Arm Board x 2 pcs



Laparoscopic Cholecystectomy Surgery

Tabletop longitudinal slide toward head-end offers complete X-ray coverage and easy access to accommodate various surgical procedures, such as : Laparotomy, Cholecystectomy, Herniorrhaphy, Pacer Implantation, Cardiovascular, Breast Procedures, Ophthalmic Surgery and ENT Procedures.
(C-arm courtesy of instrumentarium)

Recommended Accessories :
- Arm Board x 2 pcs



E.N.T. Surgery

The semi-recumbent patient or chair positions for head-neck, ENT surgery procedures, like Tonsillectomy, Cuff Repair, Ophthalmological and Facial/Plastic surgery.



Thoracic, Kidney and Gall Bladder Surgery

A combination of tabletop slide toward head-end, flex, and kidney bridge positioning provides excellent surgical site exposure and easy C-arm access.

Applicable procedures are Nephrectomy, Ureteral Lithotomy, Total Hip Procedure, Thoracoscopy, Hiatal Hernia Repair and Lung Reduction Surgery.

Recommended Accessories :
- Arm Board x 1 pc
- Raised Arm Rest x 1 pc with Side Rail Clamp x 1 pc
- Head, Shoulder and Arm Rest for Kidney Operation x 1 unit

Internal X-Ray cassette tunnel

Internal X-Ray cassette tunnel permits 14" x 17" X-ray cassette to easily slide underneath the entire length of the radiolucent tabletop.



24° of Lateral tilt

24° of Lateral tilt further enhance patient positioning during MIS, Endoscopy surgery.



Rectal Surgery

Rectal positions with Knee Rest and Rectal Positioning Support to support the patient in a kneeling position.

- Recommended Accessories :
- Arm Board x 2 pcs
 - Rectal Positioning Support x 1 unit
 - Knee Rest x 1 unit with Side Rail Lock x 2 pcs



Lithotomy Bladder Surgery

The configuration of lithotomy leg holders and leg section, provides an excellent access for urology and cystoscope surgeries. Multi-position lithotomy holders can be used as leg support when the pelvis needs to be stabilized.

- Recommended Accessories :
- Lithotomy Holder x 2 pcs with Side Rail Clamp x 2 pcs



OB/GYN, Urology, and Cystoscopy Surgery

The longitudinal slide toward foot-end offers convenient access to patient and complete C-arm coverage of lower body. Tabletop can be interchanged to accommodate specific procedures like: D&C, Cervical Conization, Pelviscopy, Cystoscopy, A-P Repair, Urinary Tract Procedures, Transurethral Resection, Rectal Surgery and Laparoscopy.

- Recommended Accessories :
- Leg Crutch x 2 pcs with Side Rail Clamp x 2 pcs
 - Urology Drain Tray Set x 1 set
 - Contamination Bucket x 1 set



Cardiovascular

Excellent upper body visualization is greatly improved by using tabletop longitudinal slide, maximum tabletop height 1,186mm (46.7"), w/pad, and collocation with optional Extension Plate 250mm(9.8"). That is possible procedure in Pacers, Groshong Catheter, Hickman Catheter, Mediport Insertion, Vascular Applications, Fem/Pop Bypass, Femoral Angiograms, Femoral Endarterectomies, pain management.



Spinal Surgery

The patient in the prone position permits unrestricted access for a C-arm during X-ray examinations. Free access for C-arm, microscope and/or surgical team during surgery is all possible. TriMax 650NS Series fulfill the procedural and fluoroscopic versatility.

- Recommended Accessories :
- Arm Board x 2 pcs
 - Assembling Dorsal Operating Pad Set x 1 set
 - Lordosis Operating Frame x 1 unit



Knee Arthroscopy Surgery

The leg in hanging position with Meniscus Positioning Device for arthroscopy of orthopedic surgery.

- Recommended Accessories :
- Condyle Fixation for Tibia and Fibula X 1 pc with Side Rail Clamp X 1 pc



Total Hip Surgery

For the fractures of pelvis, hip and femoral neck, TriMax 650NS Series provides an unrestricted C-arm access to maximize the image coverage from the anterior posterior to the lateral view.

- Recommended Accessories :
- Arm Board X 1 pc
 - Raised Arm Rest X 1 pc with Side Rail Clamp X 1 pc
 - Head, Shoulder & Arm Rest for Lateral Positioning X 1 unit

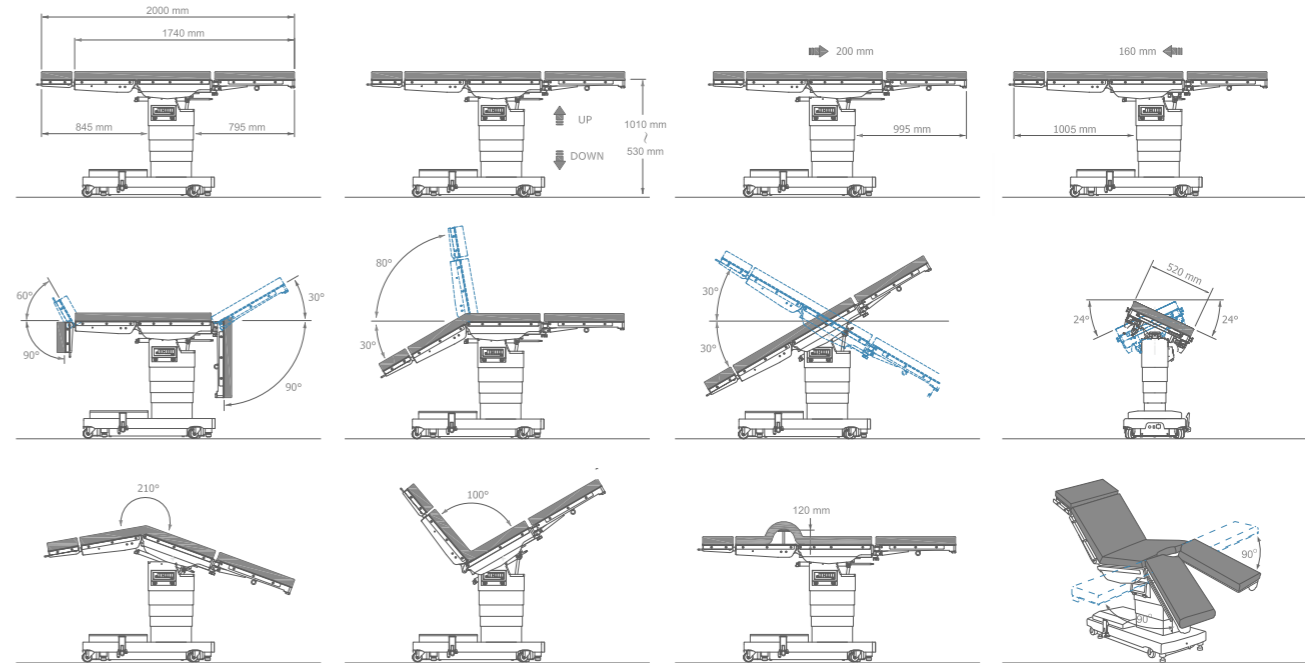


Neurosurgery

The low tabletop height and full back up position in TriMax 650NS Series are suitable for a seated surgeon to perform various specialties in Neurosurgery with multipurpose head support. Applicable procedures are Craniotomy, Cervical Surgery.

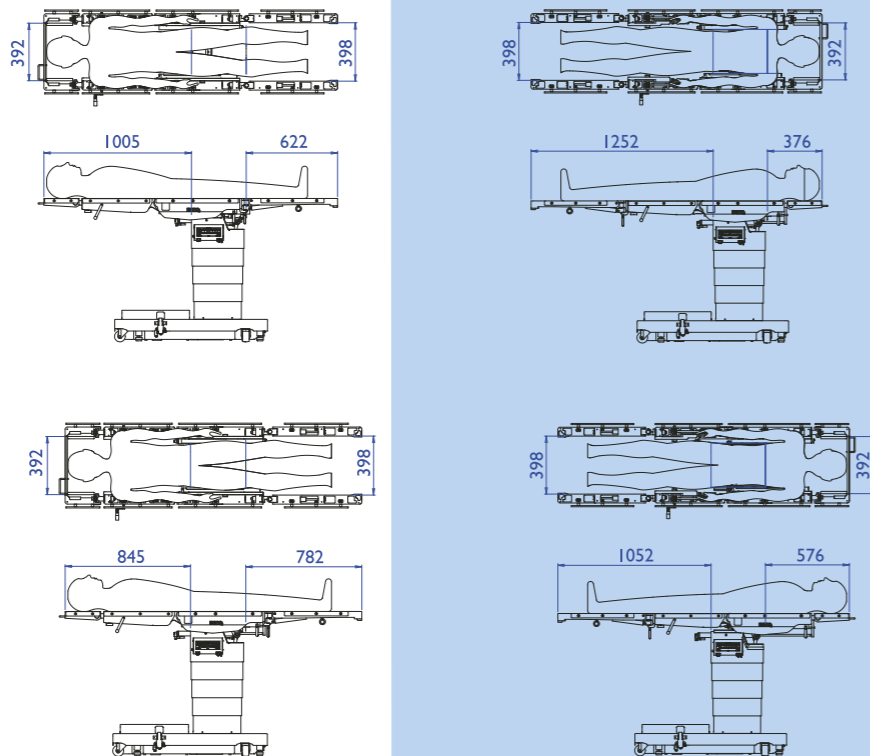
Recommended Accessories :

- Arm Board x 2 pcs
- Raised Arm Rest X 1 pc with Side Rail Clamp X 1 pc
- General Purpose U-Type Head Rest X 1 pc
- Adapter for Neuro Head Position System x unit

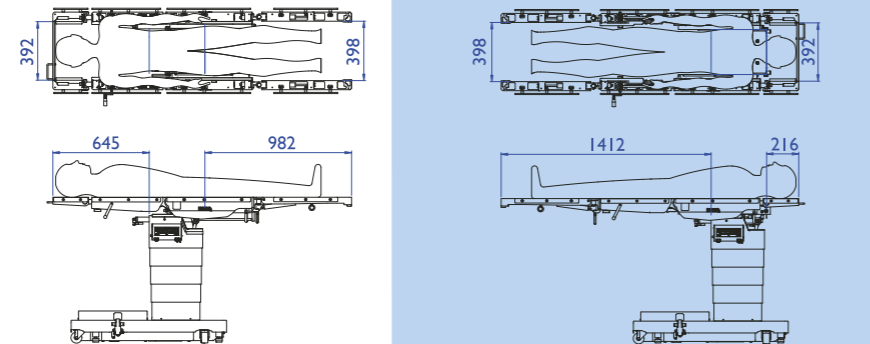


Radiographic Coverage

Sliding toward Head-End (mm)



Sliding toward Foot-End



Technical Data

MODEL	TriMax 650NS	
Tabletop length(w/head rest)	(mm)	2000
Table width(w/o side rail)	(mm)	520
Tabletop height(up/down, w/o pad)	(mm)	530~1010
Trendelenburg/Reverse Trendelenburg		30°/30°
Lateral tilt(L/R)		24°/24°
Flex/Reflex		210°/100°
Head rest(up/down)		60°/90°
Back rest(up/down)		80°/30°
Leg plates(up/down) & horizontal positioning		30°/90° Horizontal 0°~180°
Tabletop longitudinal slide(To head, to leg)	(mm)	360
Kidney Bridge	(mm)	120
Max. Weight Capacity	(kg)	273
Auto leveling		Yes

TriMax 650NS Series Models

Options	TriMax 650NSK	TriMax 650NSKB	TriMax 650NSKBM	TriMax 650NSB	TriMax 650NSBM
K 120mm Kidney Bridge	●	●	●		
B Built-in Battery		●	●	●	●
M Manual Pump			●		●

1. Option M only with option B
2. The tables shown are with optional accessories.
3. Standard package includes mattress, arm board with mattress and corded hand control.

※ Specification is subject to change without prior notice.



Работайте с лучшими,
всё остальное компромисс!

8 (800) 775-10-98

medliga.ru