

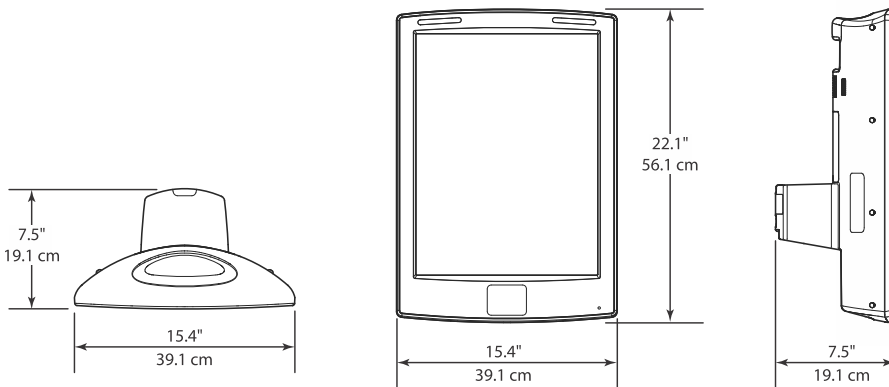
Specifications

Environmental Conditions

Operating Temperature: 5 – 40°C (41 – 104°F)
 Operating Humidity: 15 – 95%, non-condensing
 Operating Altitude: 1060 – 700 hPa

Physical Dimensions

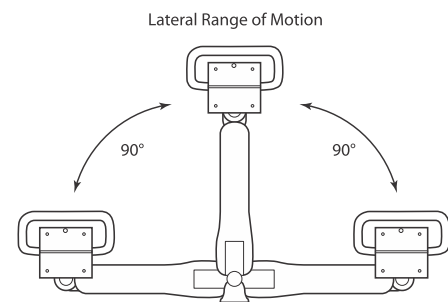
V 21 Size: 22.1" (H) x 15.4" (W) x 7.5" (D)
 56.2 cm (H) x 39.2 cm (W) x 19.1 cm (D)
 V 21 Weight: 21 lbs (9.5 kg)
 VPS Module Size: 2.9" (H) x 6.2" (W) x 5.5" (D)
 7.3 cm (H) x 15.7 cm (W) x 13.9 cm (D)
 VPS Module Weight: 1.9 lbs (0.9 kg)



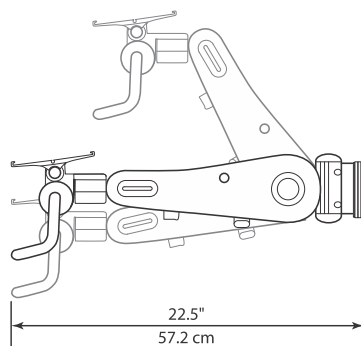
Mounting Solutions

Variable Height Mount (VHM)

Moment Load: 30 lbs (13.6 kg)

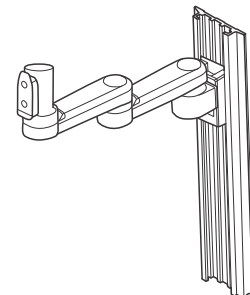


Vertical Range of Motion +60° to -10°



V Hub Wall Mount

Dimension: 19" (H) x 4" (W)
 48.3 cm (H) x 10.2 cm (W)
 Moment Load: 30 lbs (13.6 kg)



Specifications

V Dock

Electrical Ratings

AC Mains Power Source:

Input Voltage: 100 – 240 VAC (±10%)
Line Frequency: 50 – 60 Hz (±3 Hz)

Physical Dimensions

Size: 6.2" (H) x 7.6" (W) x 9.9" (D)
15.7 cm (H) x 19.3 cm (W) x 25.1 cm (D)

Weight: 3.5 lbs (1.6 kg)

Indicators

Power Indicator: 1 LED indicates AC presence
1 LED indicates when the battery charge is active

Input/Output Connections

Nurse Call: NC1
Connects a nurse call relay

Standard USB: SB1/SB2/SB3
Connects external USB devices

Powered USB: MR2/MR3/MR4
Connects V Hub via PUSB cable

Ethernet: CS1
Connects to Panorama® Central Monitoring Network

DVI: DV1
Connects secondary display via DVI cable
Output resolution of 1600 x 1200
Aspect Ratio of 3:4 in portrait mode

Equipotential Lug: Connects equipotential lug to earth ground

AC Receptacle: Connects AC power source (100 – 240 VAC, 50/60 Hz)

Environmental Conditions

Storage/Transport Temperature: -20 – 60°C (-4 – 140°F)

Storage/Transport Humidity: 10 – 95%, non-condensing

Storage/Transport Altitude: 1060 – 570 hPa

Operating Temperature: 5 – 40°C (41 – 104°F)

Operating Humidity: 15 – 95%, non-condensing

Operating Altitude: 1060 – 700 hPa



V Hub

Physical Characteristics

Mounting:

Features a quick release mechanism for mounting to a wall-mounted arm or rolling stand.

Lock Mechanism:

Coin type

Physical Dimensions

Size: 10" (H) x 8" (W) x 5" (D)
25 cm (H) x 20 cm (W) x 13 cm (D)

Weight:

3 lbs (1.4 kg)

Indicators

Status Indicator: Indicates power, operational and communication statuses of V Hub

Lock Indicator: Indicates a locked or unlocked position of modules installed in V Hub

Input/Output Connections

Powered USB: MRX
Connects V Hub via PUSB cable to V Dock

6 Module Bays: Interfaces any combination of modules up to 6 bays in height
Provides data and communication to modules

Environmental Conditions

Storage/Transport Temperature: -20 – 60°C (-4 – 140°F)

Storage/Transport Humidity: 10 – 95%, non-condensing

Storage/Transport Altitude: 1060 – 570 hPa

Operating Temperature: 5 – 40°C (41 – 104°F)

Operating Humidity: 15 – 95%, non-condensing

Operating Altitude: 1060 – 700 hPa





Работайте с лучшими,
всё остальное компромисс!

8 (800) 775-10-98

medliga.ru