

ECOVIEW 9 PLUS

ECORAY

Straight Arm

A straight arm DR equipped with one fixed type 17 X 17 FPD provides high quality images in order to meet general and specialized diagnostic needs. Unique designed straight arm enables all types of diagnostic procedures from chest to table examination in small practices or primary / urgent care institutions .

- **COLLAPSIBLE STAND** for compact installation space.
- **LOCK SENSOR** operates automatically by hand grip
- **SID & ANGLE** display on LCD touch screen
- **MOTORIZED** up/down & SID control



Adjustable detector angle



Easy Lock-free mechanics



UP & DOWN Synchronization

Chest Exam

Chest exam is mainly used for chiropractic and thoracic practices. Users maintain correct chest examination with reliable performance. With its compact design & easy installation, it is an excellent choice for a mobile solution

- **AUTO FOCUSING** by motor control
- **EASY** installation and operation in a clinic or a vehicle
- **USER** friendly LCD console for fast workflow

 **MEDLIGA**
медицинское оборудование

Category / Range		400mA	500mA	630mA	800mA	1000mA	
Generator	Power	32kW	40kW	50kW	65kW	80kW	
	Output Frequency	40kHz			300kHz		
	Max.	kV	125	125	150	150	150
		mA	400	500	630	800	1000
	Max. rating (at 100 mSec)	400mA @ 80kV	500mA @ 80kV	630mA @ 75kV	800mA @ 80kV	1000mA @ 80kV	
	mAs range	0.1 ~ 400mAs	0.1 ~ 500mAs	0.1 ~ 630mAs	0.1 ~ 800mAs	0.1 ~ 1000mAs	
	Exposure time	0.001 ~ 6 seconds (81 steps)					
	APR	288			1290		
	AEC	Available (optional)					
Line voltage (phase)	220VAC 50/60Hz (single)			380VAC 50/60Hz (three)			
Tube	Anode heating unit	140KHU			300KHU		
	Focal spot	1.0/2.0mm			0.6/1.2mm		
	Target angle	16°			12°		

Specifications are subject to change.

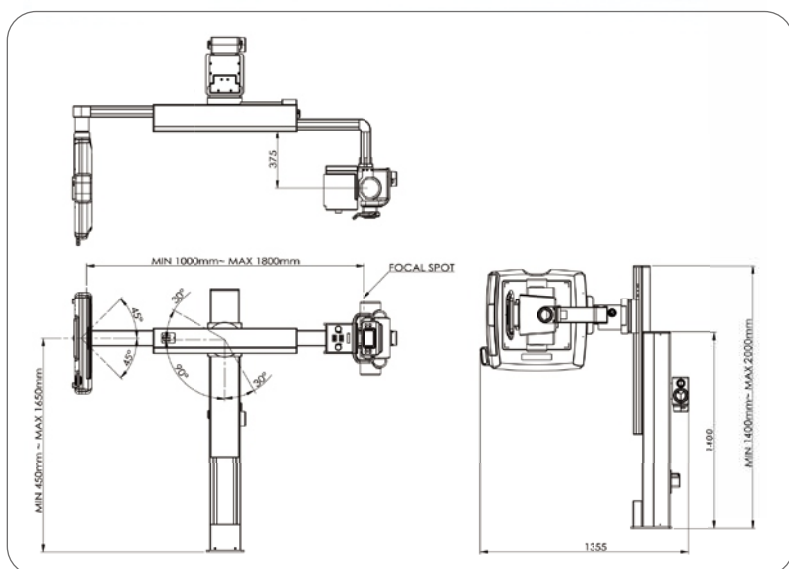
Flat Panel Detector with acquisition software

X-ray Conversion Layer : Amorphous Silicon (a-Si) Photodiode

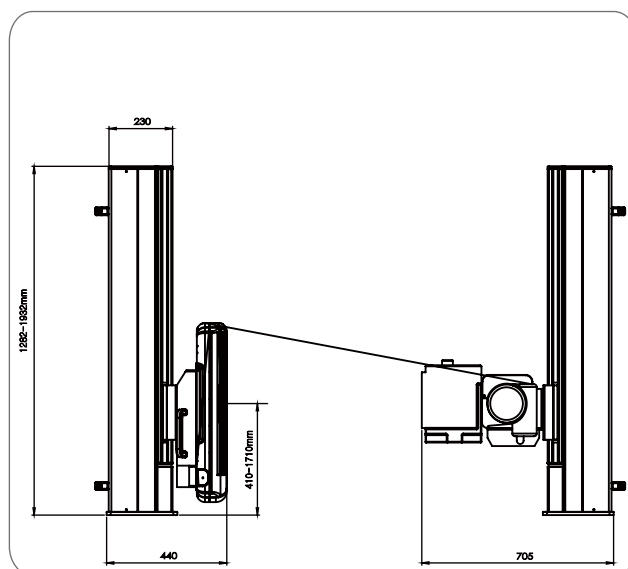


Scintillator	: Gadox or Csi
Active Array	: 3072 x 3072 pixels
Active Area	: 430.08mm x 430.08mm
Pixel pitch	: 0.14mm (140µm)
Grayscale	: 16 bits
Image Acquisition time	: 2 seconds
Dimension (H x W x D)	: 460 x 460 x 15.5mm
Weight	: 4.5 kg

Straight type



Chest type





Работайте с лучшими,
всё остальное компромисс!

8 (800) 775-10-98

medliga.ru