



## MOTOmed® LAYSON



### Simple operation and modern hygiene management

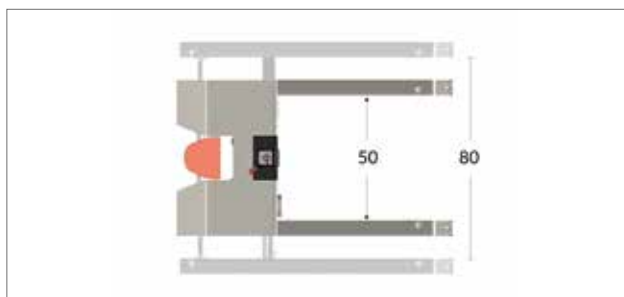
MOTOmed layson is flexible and easy to move thanks to free rolling casters. The high-quality material of the softly rounded surfaces also meets the high requirements of hygiene management in rehabilitation facilities and clinics.



# MOTOmed® layson Edition

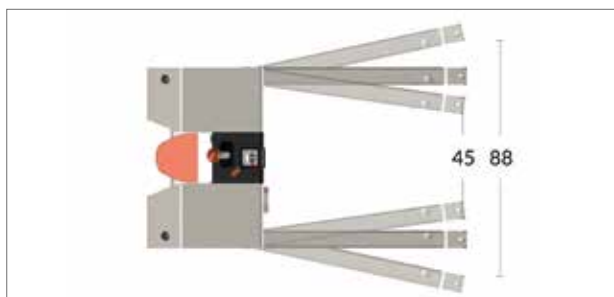
The new generation of movement therapy in supine position: MOTOmed layson offers motor-assisted and active training of legs or arms with impressively intuitive and easy operation. The height of the MOTOmed layson can be adjusted steplessly without effort by means of a gas spring. It can be easily and comfortably driven and can be individually adjusted in just a few simple steps. The orange control elements have an intuitive calling character. The reduction to just a few operating elements enables fast and effective handling in everyday clinical routine.

## Two chassis types available



### Parallel chassis

By moving the rails parallel (manually with Allen key), the width of the chassis can be adjusted to different requirements. Suitable for one single adjustment.



### Expandable chassis

The two chassis rails can be spread (by using a lever) to enable quick and tool-free adaptation to different applications. Suitable for multiple daily adjustments.

## Basic equipment

- Gas spring support for height adjustment
- Selectable parallel chassis or expandable chassis with ground fixation
- Knee bending adjustment incl. adjustment wheel<sup>\*1</sup>
- Manual horizontal adjustment
- Colour touch display (7"), rotatable, inclinable<sup>\*2</sup>
- Quick release system for foot shells and handles<sup>\*1</sup>
- Pedal radius: 7 cm
- Sturdy metal construction, high quality and stable
- Closed plastic body (PC/ABS), easy to clean and disinfect
- Easily movable with large castors (Ø 7.5 cm)
- Serial interface, USB interface
- Plastic-coated transport handle
- Patient remote control<sup>\*2</sup>
- Colour: white/chrome/black/orange



<sup>\*1</sup> Basic equipment of the MOTOmed layson leg or arm/upper body trainer

<sup>\*2</sup> Basic equipment with fixed operating panel

## Functions

- Passive, Assistive and Active Training
- Electronic foot insertion aid
- Speed from 1 to 60 rpm (passive)
- Brake intensity from 0 to 20 (active)
- Motor power from 1 to 10 (passive)
- Presetting of therapy time from 0 to 120 minutes
- MovementProtection & SpasmControl
- Safety stop
- SymmetryTraining
- Quiet, gentle and harmonious cycle movement (SmoothDriveSystem)
- Gentle starting and stopping of the movement
- Therapy and motivation programs
- Detailed biofeedback during and after training
- Export of training data, import of your own training programs
- Games
- Slideshow via USB (delivered without USB stick)
- Language selection

# MOTOmed® layson model overview

	Order No.	Description/Designation	Page
	261.130	 <b>MOTOmed layson.la</b> Leg or arm/upper body trainer (expandable chassis)	29
	261.030	 <b>MOTOmed layson.la</b> Leg or arm/upper body trainer (parallel chassis)	30
	261.110	 <b>MOTOmed layson.l</b> Leg trainer (expandable chassis)	31
	261.010	 <b>MOTOmed layson.l</b> Leg trainer (parallel chassis)	32
	261.330	 <b>MOTOmed layson kidz.la</b> Leg or arm/upper body trainer (expandable chassis)	33
	261.230	 <b>MOTOmed layson kidz.la</b> Leg or arm/upper body trainer (parallel chassis)	34
	261.310	 <b>MOTOmed layson kidz.l</b> Leg trainer (expandable chassis)	35
	261.210	 <b>MOTOmed layson kidz.l</b> Leg trainer (parallel chassis)	36
	261.119	 <b>MOTOmed layson.l dia</b> Leg trainer (expandable chassis)	37
	261.139	 <b>MOTOmed layson.la prof</b> Leg or arm/upper body trainer (expandable chassis)	39

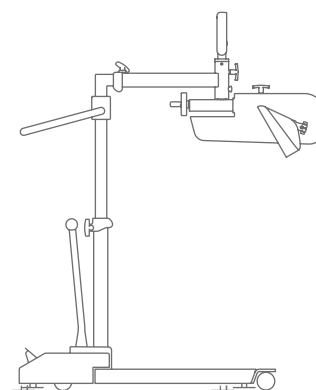
# MOTomed® layson.la (expandable chassis)

## Leg or arm/upper body trainer



Order number: 261.130

Price on request



### Basic equipment (For all details, see equipment and functions [page 27](#))

Plastic-coated safety foot shells with disinfectable fastening straps and quick release system

(pair, incl. pedal cranks)

Plastic-coated handles with quick release system (pair)

Knee bending adjustment incl. adjustment wheel

### Technical data

Dimensions (L×W×H):	134-161 × 62-100 × 118-166 cm
Weight:	86 kg
Height adjustment (max. bed height):	108 cm
Chassis height (ground clearance height):	10 cm
Maximum patient weight:	135 kg
Display size:	7" / 18 cm
Classification:	Ila according to MDD 93/42/EEC
Mains voltage: 100-240 V~ / max. 120 VA, mains frequency: 47-63Hz, class II equipment / Type BF	

### Optional product configuration (cannot be changed later)

Designation	Order No.	Page
Removable operating panel	261.520	<a href="#">p. 57</a> ⓘ

### Frequently used accessories (More accessories from [page 40](#) onwards)

»QuickFix« foot fastening system (pair)	265.004	<a href="#">p. 46</a> ⓘ
Hand fixation by wrist cuff (piece)	562.000	<a href="#">p. 48</a> ⓘ
Plastic-coated forearm shells with disinfectable fastening straps and quick release system (pair)	356.200	<a href="#">p. 52</a> ⓘ
»TrainCare« with plastic-coated leg guides	261.500	<a href="#">p. 47</a> ⓘ
Patient remote control*	261.522	<a href="#">p. 54</a> ⓘ

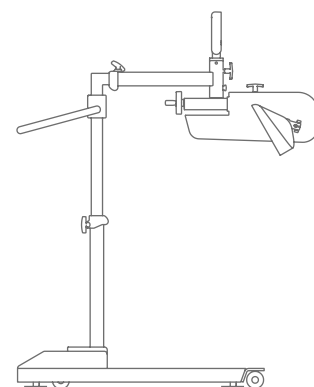
# MOTomed® layson.la (parallel chassis)

## Leg or arm/upper body trainer



Order number: 261.030

Price on request



### Basic equipment (For all details, see equipment and functions [page 27](#))

Plastic-coated safety foot shells with disinfectable fastening straps and quick release system

(pair, incl. pedal cranks)

Plastic-coated handles with quick release system (pair)

Knee bending adjustment incl. adjustment wheel

### Technical data

Dimensions (L×W×H):	134–161 × 62-92 × 118–166 cm
Weight:	86 kg
Height adjustment (max. bed height):	108 cm
Chassis height (ground clearance height):	10 cm
Maximum patient weight:	135 kg
Display size:	7" / 18 cm
Classification:	Ila according to MDD 93/42/EEC
Mains voltage: 100–240 V~ / max. 120 VA, mains frequency: 47–63Hz, class II equipment / Type BF	

### Optional product configuration (cannot be changed later)

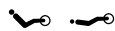
Designation	Order No.	Page
Removable operating panel	261.520	<a href="#">p. 57</a> ⓘ

### Frequently used accessories (More accessories from [page 40](#) onwards)

»QuickFix« foot fastening system (pair)	265.004	<a href="#">p. 46</a> ⓘ
Hand fixation by wrist cuff (piece)	562.000	<a href="#">p. 48</a> ⓘ
Plastic-coated forearm shells with disinfectable fastening straps and quick release system (pair)	356.200	<a href="#">p. 52</a> ⓘ
»TrainCare« with plastic-coated leg guides	261.500	<a href="#">p. 47</a> ⓘ
Patient remote control*	261.522	<a href="#">p. 54</a> ⓘ

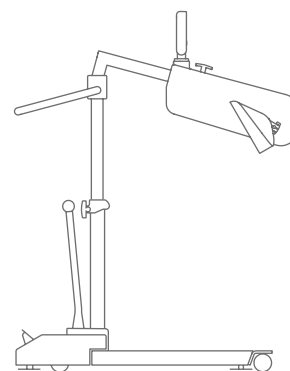
# MOTomed® layson.I (expandable chassis)

## Leg trainer



Order number: 261.110

Price on request



### Basic equipment (For all details, see equipment and functions [page 27](#))

Plastic-coated safety foot shells with disinfectable fastening straps (pair, incl. pedal cranks)

### Technical data

Dimensions (L×W×H):	101-123 × 62-100 × 109-163 cm
Weight:	79 kg
Height adjustment (max. bed height):	105 cm
Chassis height (ground clearance height):	10 cm
Maximum patient weight:	135 kg
Display size:	7" / 18 cm
Classification:	IIa according to MDD 93/42/EEC

Mains voltage: 100-240 V~ / max. 120 VA, mains frequency: 47-63Hz, class II equipment / Type BF

### Optional product configuration (cannot be changed later)

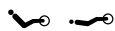
Designation	Order No.	Page
Knee bending adjustment incl. adjustment wheel	261.501	<a href="#">p. 57</a> ⓘ
Removable operating panel	261.520	<a href="#">p. 57</a> ⓘ

### Frequently used accessories (More accessories from [page 40](#) onwards)

»QuickFix« foot fastening system (pair)	265.004	<a href="#">p. 46</a> ⓘ
»TrainCare« with plastic-coated leg guides	261.500	<a href="#">p. 47</a> ⓘ
Patient remote control*	261.522	<a href="#">p. 54</a> ⓘ

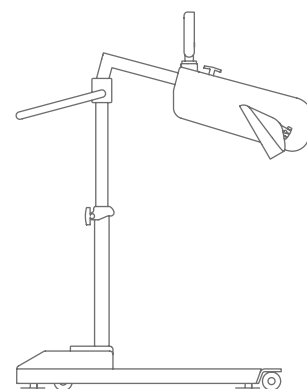
# MOTomed® layson.I (parallel chassis)

## Leg trainer



Order number: 261.010

Price on request



### Basic equipment (For all details, see equipment and functions [page 27](#))

Plastic-coated safety foot shells with disinfectable fastening straps (pair, incl. pedal cranks)

### Technical data

Dimensions (L×W×H):	101-123 × 62-92 × 109-163 cm
Weight:	79 kg
Height adjustment (max. bed height):	105 cm
Chassis height (ground clearance height):	10 cm
Maximum patient weight:	135 kg
Display size:	7" / 18 cm
Classification:	Ila according to MDD 93/42/EEC
Mains voltage: 100-240 V~ / max. 120 VA, mains frequency: 47-63Hz, class II equipment / Type BF	

### Optional product configuration (cannot be changed later)

Designation	Order No.	Page
Knee bending adjustment incl. adjustment wheel	261.501	<a href="#">p. 57</a> ⓘ
Removable operating panel	261.520	<a href="#">p. 57</a> ⓘ

### Frequently used accessories (More accessories from [page 40](#) onwards)

»QuickFix« foot fastening system (pair)	265.004	<a href="#">p. 46</a> ⓘ
»TrainCare« with plastic-coated leg guides	261.500	<a href="#">p. 47</a> ⓘ
Patient remote control*	261.522	<a href="#">p. 54</a> ⓘ

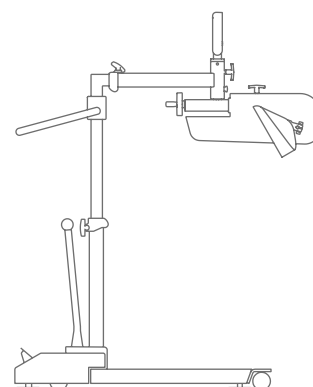
# MOTomed® layson kidz.la (expandable chassis)

## Leg or arm/upper body trainer



Order number: 261.330

Price on request



### Basic equipment (For all details, see equipment and functions [page 27](#))

Plastic-coated pediatric safety foot shells with disinfectable fastening straps and quick release system

(pair, incl. pedal cranks)

Plastic-coated pediatric handles with quick release system (pair)

Knee bending adjustment incl. adjustment wheel

### Technical data

Dimensions (L×W×H):	134-161 × 62-100 × 118-166 cm
Weight:	86 kg
Height adjustment (max. bed height):	108 cm
Chassis height (ground clearance height):	10 cm
Maximum patient weight:	135 kg
Display size:	7" / 18 cm
Classification:	Ila according to MDD 93/42/EEC
Mains voltage: 100-240 V~ / max. 120 VA, mains frequency: 47-63Hz, class II equipment / Type BF	

### Optional product configuration (cannot be changed later)

Designation	Order No.	Page
Removable operating panel	261.520	<a href="#">p. 57</a> ⓘ

### Frequently used accessories (More accessories from [page 40](#) onwards)

Hand fixation by wrist cuff, size S (piece)	562.020	<a href="#">p. 48</a> ⓘ
»TrainCare kidz« with plastic-coated pediatric leg guides	261.502	<a href="#">p. 47</a> ⓘ
Patient remote control*	261.522	<a href="#">p. 54</a> ⓘ

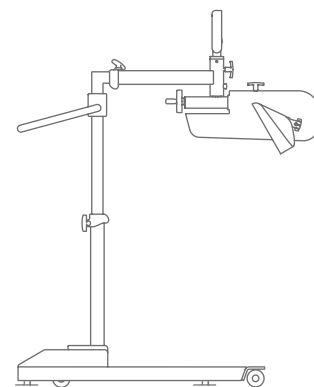
# MOTomed® layson kidz.la (parallel chassis)

## Leg or arm/upper body trainer



Order number: 261.230

Price on request



### Basic equipment (For all details, see equipment and functions [page 27](#))

Plastic-coated pediatric safety foot shells with disinfectable fastening straps and quick release system

(pair, incl. pedal cranks)

Plastic-coated pediatric handles with quick release system (pair)

Knee bending adjustment incl. adjustment wheel

### Technical data

Dimensions (L×W×H):	134–161 × 62–92 × 118–166 cm
Weight:	86 kg
Height adjustment (max. bed height):	108 cm
Chassis height (ground clearance height):	10 cm
Maximum patient weight:	135 kg
Display size:	7" / 18 cm
Classification:	IIa according to MDD 93/42/EEC
Mains voltage: 100–240 V~ / max. 120 VA, mains frequency: 47–63Hz, class II equipment / Type BF	

### Optional product configuration (cannot be changed later)

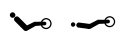
Designation	Order No.	Page
Removable operating panel	261.520	<a href="#">p. 57</a> ⓘ

### Frequently used accessories (More accessories from [page 40](#) onwards)

Hand fixation by wrist cuff, size S (piece)	562.020	<a href="#">p. 48</a> ⓘ
»TrainCare kidz« with plastic-coated pediatric leg guides	261.502	<a href="#">p. 47</a> ⓘ
Patient remote control*	261.522	<a href="#">p. 54</a> ⓘ

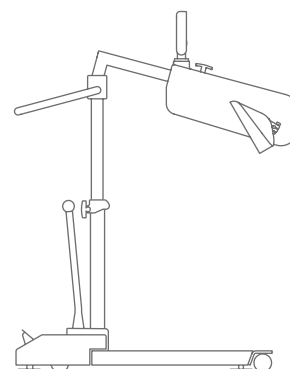
# MOTomed® layson kidz.I (expandable chassis)

## Leg trainer



Order number: 261.310

Price on request



### Basic equipment (For all details, see equipment and functions, [page 27](#))

Plastic-coated pediatric safety foot shells with disinfectable fastening straps (pair, incl. pedal cranks)

### Technical data

Dimensions (L×W×H):	101-123 × 62-100 × 109-163 cm
Weight:	79 kg
Height adjustment (max. bed height):	105 cm
Chassis height (ground clearance height):	10 cm
Maximum patient weight:	135 kg
Display size:	7" / 18 cm
Classification:	Ila according to MDD 93/42/EEC

Mains voltage: 100-240 V~ / max. 120 VA, mains frequency: 47-63Hz, class II equipment / Type BF

### Optional product configuration (cannot be changed later)

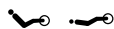
Designation	Order No.	Page
Knee bending adjustment incl. adjustment wheel	261.501	<a href="#">p. 57</a> ⓘ
Removable operating panel	261.520	<a href="#">p. 57</a> ⓘ

### Frequently used accessories (More accessories from [page 40](#) onwards)

»TrainCare kidz« with plastic-coated pediatric leg guides	261.502	<a href="#">p. 47</a> ⓘ
Patient remote control*	261.522	<a href="#">p. 54</a> ⓘ

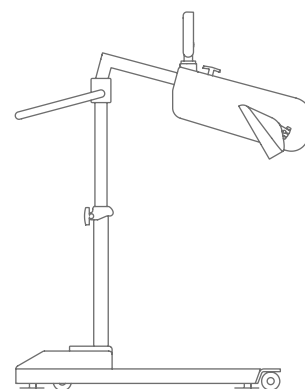
# MOTomed® layson kidz.I (parallel chassis)

## Leg trainer



Order number: 261.210

Price on request



### Basic equipment (For all details, see equipment and functions, [page 27](#))

Plastic-coated pediatric safety foot shells with disinfectable fastening straps (pair, incl. pedal cranks)

### Technical data

Dimensions (L×W×H):	101-123 × 62-92 × 109-163 cm
Weight:	79 kg
Height adjustment (max. bed height):	105 cm
Chassis height (ground clearance height):	10 cm
Maximum patient weight:	135 kg
Display size:	7" / 18 cm
Classification:	Ila according to MDD 93/42/EEC
Mains voltage: 100-240 V~ / max. 120 VA, mains frequency: 47-63Hz, class II equipment / Type BF	

### Optional product configuration (cannot be changed later)

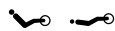
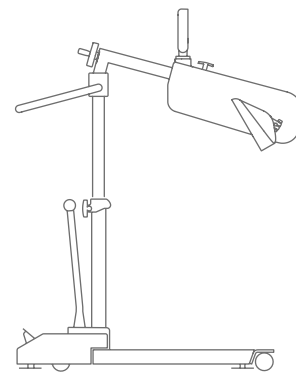
Designation	Order No.	Page
Knee bending adjustment incl. adjustment wheel	261.501	<a href="#">p. 57</a> ⓘ
Removable operating panel	261.520	<a href="#">p. 57</a> ⓘ

### Frequently used accessories (More accessories from [page 40](#) onwards)

»TrainCare kidz« with plastic-coated pediatric leg guides	261.502	<a href="#">p. 47</a> ⓘ
Patient remote control*	261.522	<a href="#">p. 54</a> ⓘ

# MOTomed® layson.l dia (expandable chassis)

Leg trainer specially designed for dialysis treatment



Order number: 261.119

Price on request

## Basic equipment (For all details, see equipment and functions, [page 27](#))

Plastic-coated safety foot shells with disinfectable fastening straps (pair, incl. pedal cranks)

Knee bending adjustment incl. adjustment wheel

Removable operating panel

## Technical data

Dimensions (L×W×H):	101-123 × 62-100 × 109-163 cm
Weight:	80 kg
Height adjustment (max. bed height):	105 cm
Chassis height (ground clearance height):	10 cm
Maximum patient weight:	135 kg
Display size:	7" / 18 cm
Classification:	Ila according to MDD 93/42/EEC

Mains voltage: 100-240 V~ / max. 120 VA, mains frequency: 47-63Hz, class II equipment / Type BF

## Frequently used accessories (More accessories from [page 40](#) onwards)

Designation	Order No.	Page
»QuickFix« foot fastening system (pair)	265.004	<a href="#">p. 46</a> ⓘ
»TrainCare« with plastic-coated leg guides	261.500	<a href="#">p. 47</a> ⓘ
Patient remote control	261.522	<a href="#">p. 54</a> ⓘ



Работайте с лучшими,  
всё остальное компромисс!

---

**8 (800) 775-10-98**

**medliga.ru**