

HF-525Plus

General Purpose Radiographic System

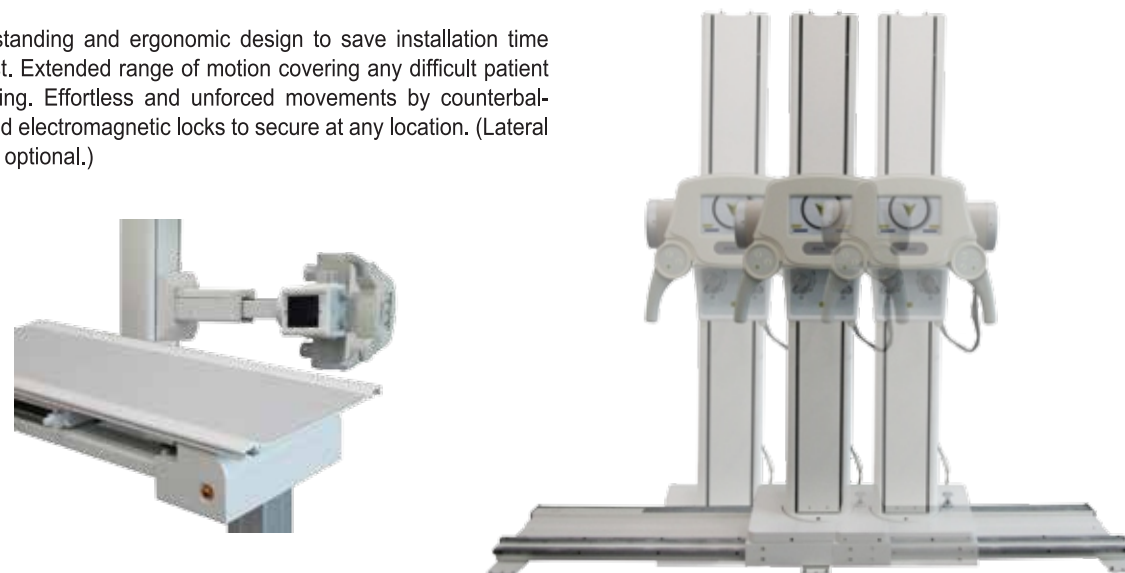
HF-525Plus

General Purpose Radiographic System



Floor mounted Tube Stand

A free-standing and ergonomic design to save installation time and cost. Extended range of motion covering any difficult patient positioning. Effortless and unforced movements by counterbalance and electromagnetic locks to secure at any location. (Lateral travel is optional.)



4 Way Floating Table

Light 4-way movement for an easy patient positioning and efficient workflow. The robust and heavy-duty structure up to 250kg table weight capacity. Foot-controlled electromagnetic locks to flexibly adjust longitudinal and transverse travel. Various cassette size capabilities (5" x 7" to 17" x 17") with a moving bucky tray.



Handle Bar

Simple and functional configurations with a goniometer for Tube angle, soft-touch handgrips and fingertip controls on both sides. Easy-to-operate access for longitudinal, vertical and tube rotation. (LCD Touch screen is optional.)



Wall Bucky Stand

Advanced applications of the back side button and a wide range of vertical travel. Minimal focal spot to floor distance for comfortable standing positioning. Slim and cutting-edge appearance to accommodate the needs of diverse healthcare providers. Cassette flexibility up to 17" x 17".





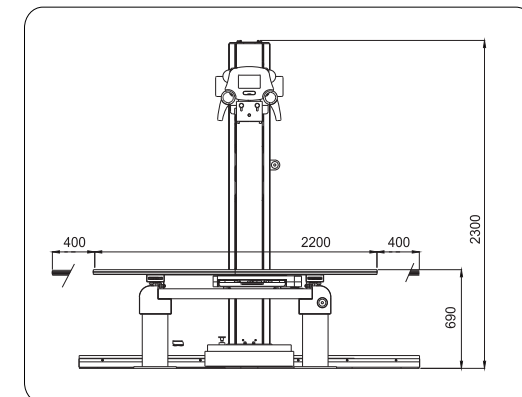
High frequency generator for high quality imaging...

HF-525plus Technical Specifications

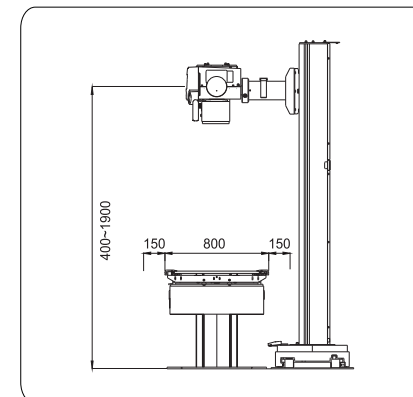
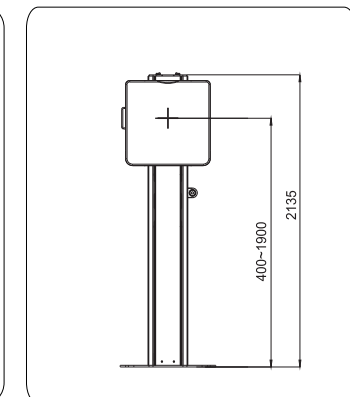
Category / Range	32kW	40kW	50kW	65kW	80kW	
Generator	High Frequency Inverter type					
	Type	High Frequency Inverter type				
	Max mA/kV	400mA/125kV	500mA/125kV	630mA/150kV	800mA/150kV	1,000mA/150kV
	Max rating	400mA @80kV	500mA @80kV	630mA @75kV	800mA @62kV	800mA @81kV
	mAs range	0.1 ~ 400mAs	0.1 ~ 500mAs	0.1 ~ 630mAs	0.1 ~ 800mAs	0.1 ~ 1,000mAs
	Exposure Time	0.001 ~ 6 sec (81 steps)				
	APR	288 APR		1290 APR		
	AEC	3-field ionization chamber(s) with AEC board (optional)				
	OP console	FnD type (standard) / LCD or Touch Screen console (optional)				
	Line voltage & phase	220VAC 50/60Hz single phase		380-400VAC 50/60Hz three phase		
Tube	Anode heat storage	140KHU (standard) / 300KHU (optional)		300KHU (standard) / 400KHU (optional)		
	Focal spots (dual)	1.0/2.0mm (0.6/1.2mm optional)		0.6/1.2mm		
	Max mA/kV	500mA/125kV		700mA/150kV	1,000mA/150kV (with high speed rotor function)	
	Target angle	16° (12°)		12°		
	Collimator	Manual type with timer				
Tube Stand	Longitudinal travel	200cm				
	Transverse travel	26cm (Optional)				
	Vertical travel	From 40 to 190cm (from floor level)				
Bucky Table	Type	4 way floating top table				
	Longitudinal travel	80cm				
	Transverse travel	30cm				
	Max loading	250kg				
	Cassette tray	Max. 17 x 17 inch				
Wall bucky stand	Type	Floor mounted				
	Grid	Oscillating grid (10:1 standard)				
	Vertical travel	From 40 to 190cm (from floor)				
Options	AEC	3-field ionization chamber with AEC control board (16 steps density adjustment)				
	High speed rotor	-		High speed controller		
	PSU	Power supply unit with battery bank / Capacitor bank		-		
	Ceiling suspension	Ceiling suspended tube stand				
	Elevation table	Up/down motorized elevation with 4 way floating top table				
	DAP	Dose area product chamber				
Tube head display	kV,mA, mAs/time & tube head angle digital display with LCD touch screen control					

* Specifications are subject to change.
 * The dimension & weight information will be found in the Product Data document that includes all other detailed specifications.
 * The combinations of system configuration like tube, HFG and other optional items can be determined by customers.

Front view Dimension



Wall Bucky Stand Dimension Side view Dimension



TRUST BEGINS WITH ECORAY

High Frequency Generators

SPECIFICATIONS

Power	32kW	40kW	50kW	65kW	80kW	
kV range	40-125kV (±3%)	40-125kV (±3%)	40-150kV (±3%)	40-150kV (±3%)	40-150kV (±3%)	
mA range	10, 25, 32, 40, 50, 63, 80, 100, 125, 160, 200, 250, 320, 400	10, 25, 32, 40, 50, 63, 80, 100, 125, 160, 200, 250, 320, 400, 500	10, 25, 32, 40, 50, 63, 80, 100, 125, 160, 200, 250, 320, 400, 500, 630	10, 25, 32, 40, 50, 63, 80, 100, 125, 160, 200, 250, 320, 400, 500, 630, 800	10, 11, 12.5, 14, 16, 20, 22, 25, 28, 32, 36, 40, 45, 50, 56, 63, 71, 80, 90, 100, 110, 125, 140, 160, 180, 200, 220, 250, 280, 320, 360, 400, 450, 500, 630, 710, 800, 900, 1000	
	±5%	±5%	±5%	±5%	±5%	
mAs range	0.1 ~ 400mAs	0.1 ~ 500mAs	0.1 ~ 630mAs	0.1 ~ 800mAs	0.1 ~ 1,000mAs	
Power output ratings at 0.1sec	400mA @ 80kV 300mA @ 100kV 200mA @ 125kV	500mA @ 80kV 300mA @ 125kV	630mA @ 75kV 500mA @ 100kV 300mA @ 150kV	800mA @ 62kV 630mA @ 75kV 500mA @ 100kV 300mA @ 150kV	800mA @ 81kV 630mA @ 100kV 400mA @ 150kV	1,000mA @ 80kV 800mA @ 100kV 500mA @ 150kV
	±2%	±2%	±2%	±2%	±2%	
Power Supply Unit (PSU)	Battery Type / Capacitor Type (Optional)		-			
High Voltage Ripple (TYP)	< 1kV @ 100kV					
Frequency	40kHz		Max. 300kHz			
Automatic Line compensation	±15%		±10%			
Anatomical Programming	288 APR (Standard)			1,290 APR		

HIGH FREQUENCY GENERATOR



32kW / 40kW / 50kW (630mA)



32kW / 40kW Capacitor Bank



50kW (800mA) / 65kW / 80kW



FnD Console



LCD Console



Touch screen Console



50kW (800mA)/65kW/80kW LCD Console

Options

Ceiling suspended Tube Stand

With increased room efficiency, rapid positioning to quickly achieve the desired image and improve patient access. A full range of longitudinal, transverse, vertical movement and tube rotation for much higher patient throughput. (LCD Touch screen is optional.)



- Rail Size : Upper rail : 4,000/ 3,500mm Lower rail : 3,000/2,500mm
- Longitudinal Travel : Max. 2,000mm (depends on the ceiling rail length)
- Transverse Travel : Max. 3,000mm (depends on the ceiling rail length)
- Vertical Tube Travel : Approx. 1,500mm (depends on the room height)
- X-ray Tube Rotation : +/- 180° (detents at +90° ~ -90°)
- Tube Stand Column Rotation : +/- 180° (detents at +90° ~ -90°)



LCD Touch Screen Handle Bar

Instantaneous operation allowing high-volume hospital imaging departments to adjust kV, mA and mAs on LCD touch screen for increasing comfort and satisfaction. Convenient Tube angle display.

6way Elevating Table

Elevating table not only improving patient safety from risk of falls but maximizing the amount of time the technologist spends. Motorized vertical movement to help elderly, handicapped, or pediatric patients without difficulty.



- Dimension of Tabletop : 2200-2400mm x 800mm x 555~892mm
- Table Top Material : Melamine Laminated structure / Carbon Fiber [Option]
- Table Top-to-Film Distance : Approx. 75mm
- Table Top AL Equivalence : <0.8mm Al at 100kVp
- Table Top Weight Limit : 250kg
- Longitudinal Travel : Approx. ±390mm
- Transverse Travel : Approx. ±160mm
- Vertical Travel : Approx. 337mm (555~ 892mm)
- Bucky Travel : Approx. ±200mm



Работайте с лучшими,
всё остальное компромисс!

8 (800) 775-10-98

medliga.ru